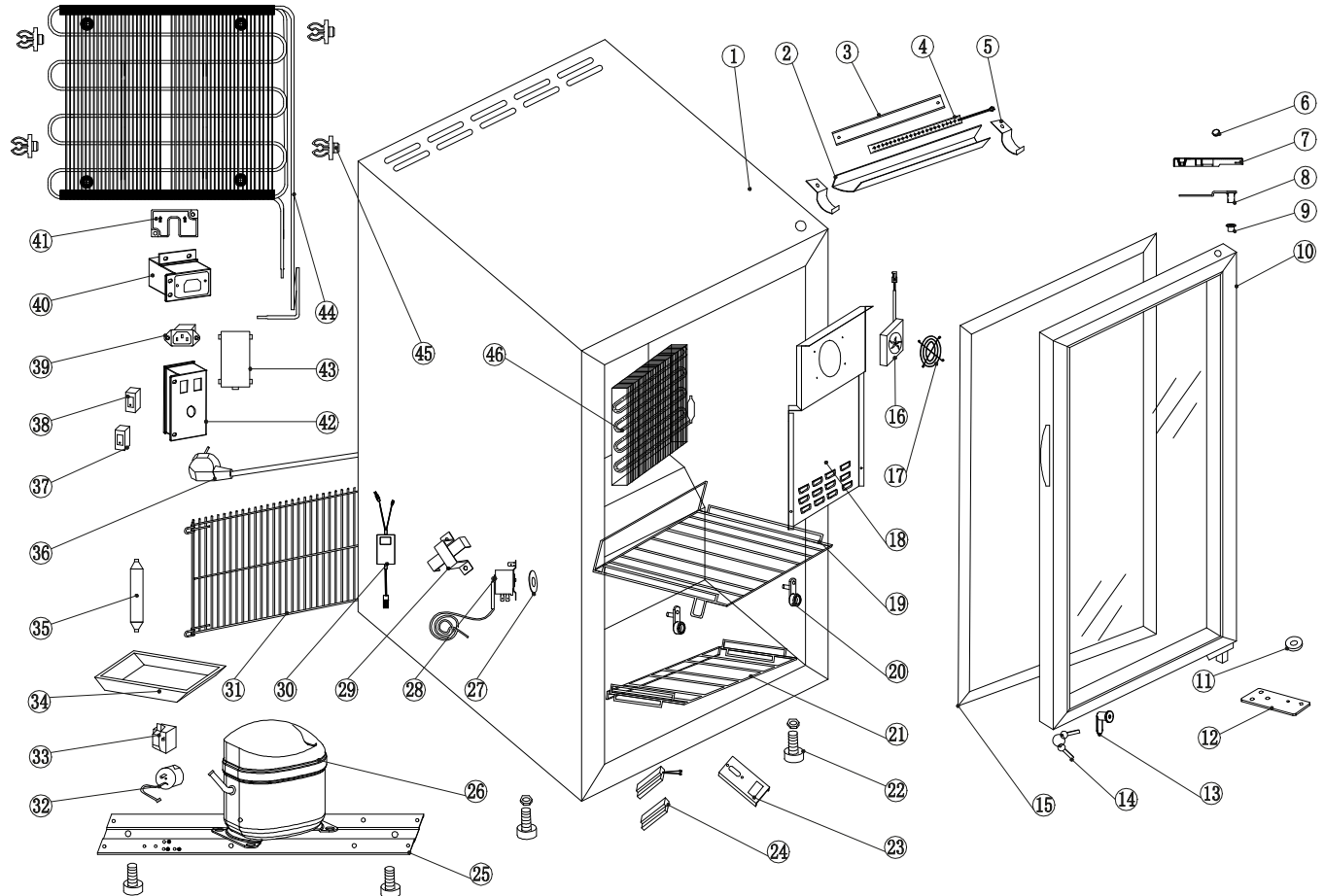


PARTS & IDENTIFICATION



- | | | |
|---------------------------------|----------------------------|--------------------------|
| 1. Cooler Cabinet | 17. Inside Fan Cover | 33. Start Relay |
| 2. Interior Lampshade | 18. Evaporator Safeguard | 34. Drip Pan |
| 3. Interior Light Trough | 19. Big Shelf (2) | 35. Drier |
| 4. Interior LED Lamp | 20. Shelf Clip (2) | 36. Power Cord |
| 5. Interior Lampshade Board (2) | 21. Small Shelf | 37. Light Switch 1 |
| 6. Rubber Cover | 22. Leveling Leg (4) | 38. Light Switch 2 |
| 7. Hinge Cover | 23. Lock Pin | 39. Plug Connector |
| 8. Top Hinge | 24. Magnetic Switch | 40. Plug Fixed Box |
| 9. Wire Sleeve | 25. Compressor Panel | 41. Plug Baffle |
| 10. Glass Door | 26. Compressor | 42. Thermostat Box |
| 11. Bottom Hinge Washer | 27. Thermostat Sticker | 43. Thermostat Box Cover |
| 12. Bottom Hinge | 28. Thermostat | 44. Condenser |
| 13. Lock | 29. Transformer Box | 45. Condenser Support |
| 14. Key | 30. Transformer | 46. Evaporator |
| 15. Door Gasket | 31. Rear Compartment Grill | |
| 16. Inside Fan | 32. Overload | |