

GCG9

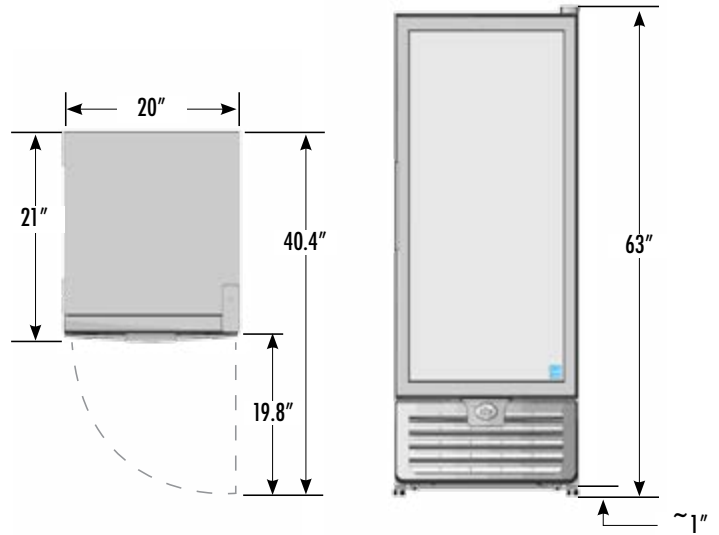
UPRIGHT COOLER



FEATURES

- Exterior Dimensions: 20"W x 21"D x 63"H
- Dynamic LED Lighting In Door Provides Enhanced Product Illumination While Greatly Reducing Energy Consumption
- Forced Air Refrigeration System For Fast Product Temperature Pull Down
- High Density Environmentally Friendly Insulation
- 3 Fully Adjustable Powder-Coated Metal Shelves
- Double-Paneled, Low "E", Self-Closing Glass Door
- High Impact Side Panel Graphics
- Adjustable Temperature Control
- 9' Heavy Duty Power Cord
- Available in Climate-friendly Natural Refrigerant
- CETL & ETL Listed
- Conforms to NSF-7
- ENERGY STAR® Qualified





EXTERIOR DIMENSIONS (WDH) ————— 20" x 21" x 63" inches
508 x 533 x 1600 mm

SHELF DIMENSIONS (WD) ————— 15.5" x 13.5" inches
394 x 343 mm

PACK-OUT CAPACITIES —————

	Facing	Depth	Shelves	Rows	Total Capacity
12oz CAN	6	5	6	7	210*
16oz CAN	6	2	1	1	162*
	6	5	4	5	
20oz PET	5	2	1	1	95*
	5	4	3	3	
	5	5	0	1	

* Additional shelves, beyond what is supplied with the cooler, may be required to achieve this maximum pack-out.

TECH SPECS —————

Refrigerant	R134a	R290
Amps	2.5	2.7
Volts/Hz	110-120V/60Hz	110-120V/60Hz
Compressor HP	1/8	1/5

SHIPPING SPECS —————

Gross Weight	196 lbs/89 kg
Net Weight	163 lbs/74 kg
Carton Dims (WDH)	21"x22"x70" / 533x559x1778mm
Units per Pallet	1
Shipping Loads	40'HQ ~ 88 53' ~ 112

