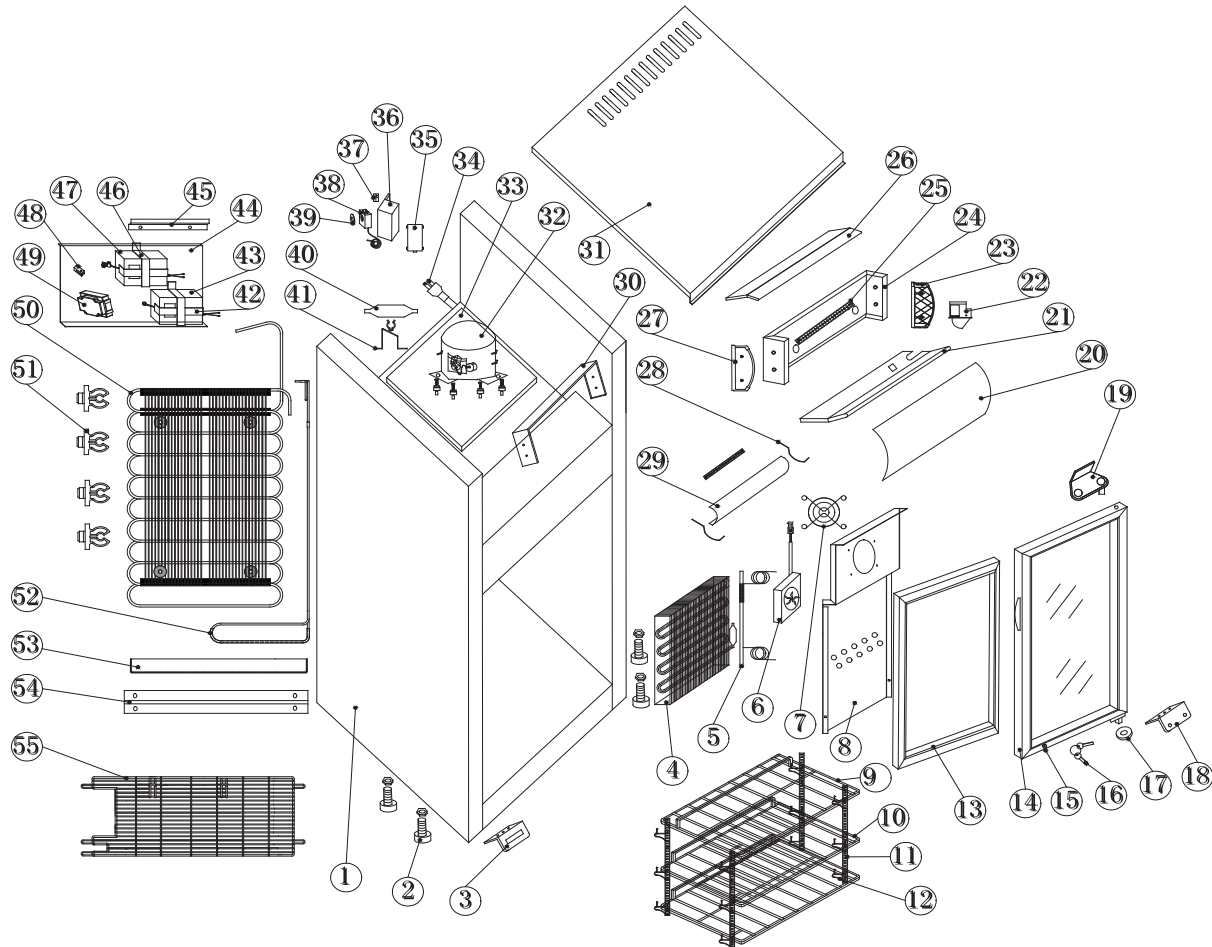


## PARTS & IDENTIFICATION



- |                         |  |                                |
|-------------------------|--|--------------------------------|
| 1. Cabinet              | 20. Light Cover                        | 38. Thermostat                 |
| 2. Leveling Leg (4)     | 21. Canopy Bottom Frame                | 39. Thermostat Label           |
| 3. Lockpin              | 22. Fan Switch                         | 40. Filter Drier               |
| 4. Evaporator           | 23. Canopy Right Side                  | 41. Filter Drier Bracket       |
| 5. Return Pipe          | 24. Fixation Board for Light           | 42. Thermostat Box (Small)     |
| 6. Evaporator Fan       | 25. LED Light (4)                      | 43. Evaporator Fan Transformer |
| 7. Evaporator Fan Grill | 26. Canopy Top Frame                   | 44. Power Supply Board         |
| 8. Evaporator Plate     | 27. Canopy Left Side                   | 45. Power Supply Board Bracket |
| 9. Large Shelf          | 28. Fixation of Inner Lampshade (2)    | 46. Transformer Box (Large)    |
| 10. Shelf (2)           | 29. Interior Light Bracket             | 47. Transformer                |
| 11. Pilasters (4)       | 30. Top Board Bracket                  | 48. Power Cord Holder          |
| 12. Shelf Clips (12)    | 31. Cabinet Top Cover                  | 49. Junction Box               |
| 13. Door Gasket         | 32. Compressor                         | 50. Condenser                  |
| 14. Glass Door          | 33. Compressor Base                    | 51. Condenser Bracket (4)      |
| 15. Lock                | 34. Power Cord                         | 52. Connecting Pipe            |
| 16. Key                 | 35. Thermostat Box Cover               | 53. Drip Pan                   |
| 17. Bottom Hinge Washer | 36. Thermostat Box                     | 54. Drip Pan Bracket           |
| 18. Bottom Hinge Board  | 37. Light Switch (G-6c: 1) (GCG-6c: 2) | 55. Rear Grill                 |
| 19. Top Hinge           |  |                                |

