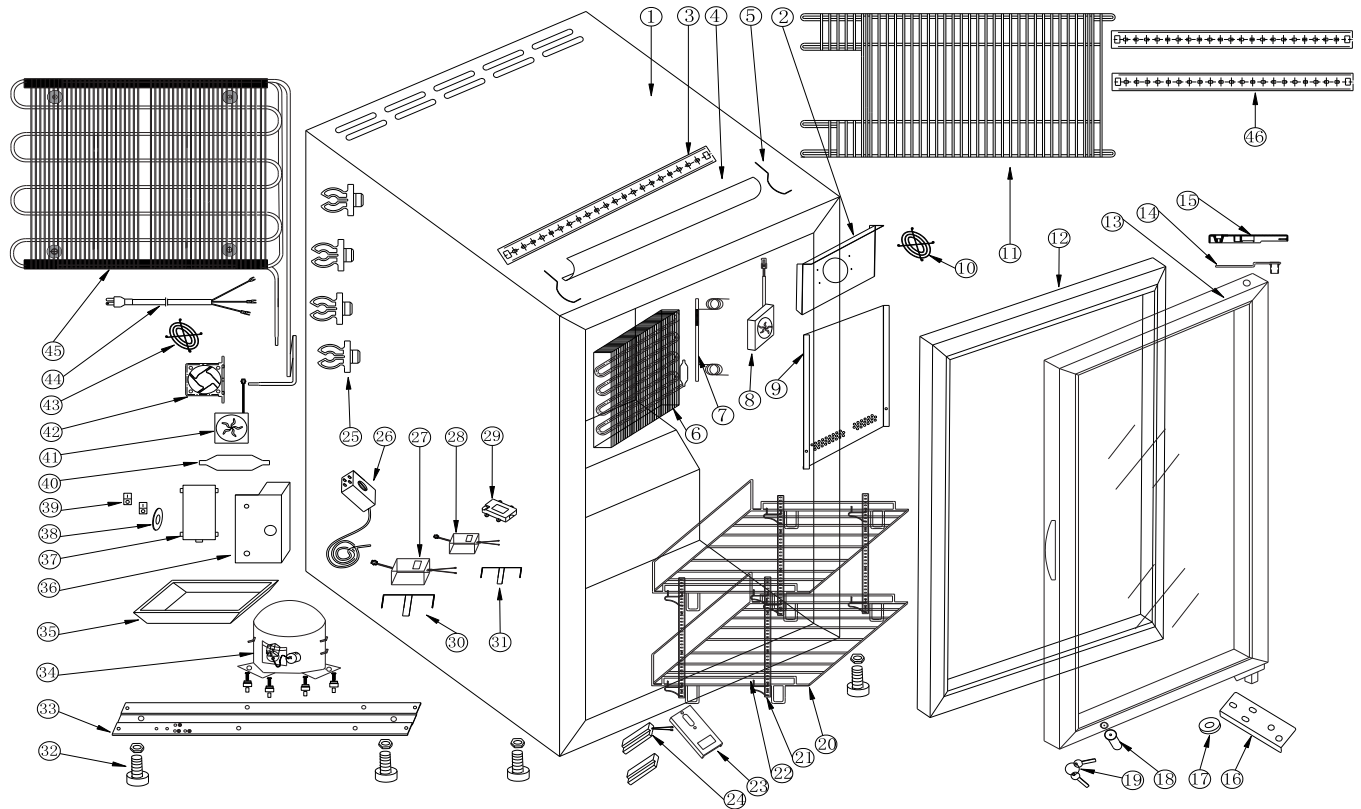


PARTS & IDENTIFICATION



- | | | |
|-------------------------------------|-----------------------------------|---------------------------|
| 1. Cooler Cabinet | 17. Bottom Hinge Washer | 33. Compressor Base |
| 2. Evaporator Fan Safeguard | 18. Door Lock | 34. Compressor |
| 3. Interior LED Lamp | 19. Key (2) | 35. Drip Pan |
| 4. Interior Light Bracket | 20. Large Shelf (2) | 36. Thermostat Box |
| 5. Interior Light Bracket Board (2) | 21. Pilasters (4) | 37. Thermostat Box Cover |
| 6. Evaporator | 22. Shelf Clip (8) | 38. Thermostat Label |
| 7. Return Pipe | 23. Lockpin | 39. Door Light Switch (2) |
| 8. Evaporator Fan | 24. Magnetic Switch | 40. Filter Drier |
| 9. Evaporator Safeguard | 25. Condenser Clip (4) | 41. Condenser Fan |
| 10. Evaporator Fan Cover | 26. Thermostat | 42. Condenser Fan Cover |
| 11. Rear Grill | 27. Transformer 1A | 43. Fan Cover |
| 12. Door Gasket | 28. Transformer for Condenser Fan | 44. Power Cord |
| 13. Glass Door | 29. Junction Box | 45. Condenser |
| 14. Top Hinge | 30. Transformer Box | 46. LED Lights (2) |
| 15. Hinge Cover | 31. Transformer Box | |
| 16. Bottom Hinge | 32. Leveling Leg (4) | |

