

G-Baby

COUNTERTOP COOLER



Manual is for the following models:

G-BABY

G-BABY-N14NF

G-BABY-N14NG

G-BABY-N14NI



FOR YOUR FUTURE REFERENCE

- This easy-to-use manual will guide you in getting the best use of your cooler.
- Remember to record the model number and the serial number. This information can be found on the inside of your cooler.
- Keep your receipt with this manual for future warranty service.

Model #: _____

Serial #: _____

Date of Purchase: _____

TABLE OF CONTENTS

Parts and Identification	2
Safety Instructions.....	3
Installation	3
Electric Connection	3
Start	3
Light Control	3
Maintenance	4
Cleaning	4
Condenser Maintenance	4
Light Replacement.....	4
Power Failure.....	4
Moving the cooler.....	4
Drip Pan	4
Troubleshooting	5
Refrigerant	5
Circuit Diagram.....	6

Manual is for the following models:

G-BABY

G-BABY-N14NF

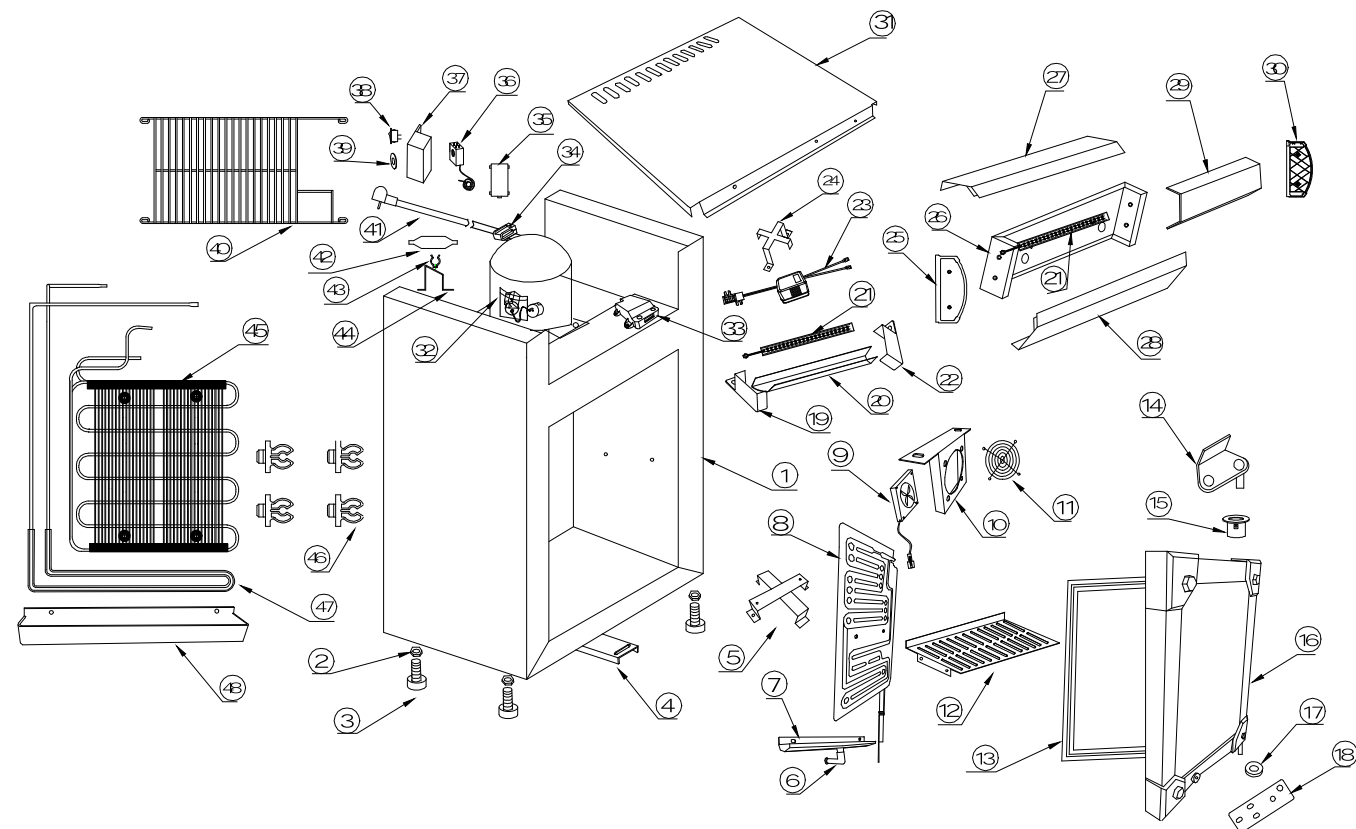
G-BABY-N14NG

G-BABY-N14NI

Instruction Manual

G-Baby

PARTS AND IDENTIFICATION



- | | | |
|---------------------------|--------------------------------------------|----------------------------|
| 1. Cooler Cabinet | 17. Bottom Hinge Washer | 33. Junction Box |
| 2. Screw (4) | 18. Bottom Hinge | 34. Plastic Clip |
| 3. Leveling Leg (4) | 19. Left Holder of Light Cover | 35. Thermostat Box Cover |
| 4. Lockpin | 20. Light Cover | 36. Thermostat |
| 5. Evaporator Bracket | 21. LED Light (2) | 37. Thermostat Box |
| 6. Drainage Hose Elbow | 22. Right Holder of Light Box | 38. Switch |
| 7. Inner Drip Pan | 23. Transformer | 39. Thermostat Level Label |
| 8. Evaporator | 24. Transformer Box | 40. Compartment Grill |
| 9. Inner Fan | 25. Left Cover of Light Box | 41. Power Cord |
| 10. Fixation of Inner Fan | 26. Fixation Board of Light | 42. Drier |
| 11. Fan Cover Grid | 27. Top Adornment Assembly of Light Box | 43. Drier Clip |
| 12. Shelf | 28. Front Plate of Light Box | 44. Drier Bracket |
| 13. Gasket | 29. Bottom Adornment Assembly of Light Box | 45. Condenser |
| 14. Top Hinge | 30. Left Cover of Light Box | 46. Condenser Clip |
| 15. Wire Clip | 31. Cabinet Cover | 47. Connection Pipe |
| 16. Glass Door | 32. Compressor | 48. Outer Drip Pan |

SAFETY PRECAUTIONS

When using this appliance, always follow the basic safety precautions:

1. Read the entire User's Manual before operating this appliance.
2. Use this appliance only for its intended purpose as described in this User's Manual.
3. This cooler must be properly installed in accordance with the installation instructions before being used. See grounding instructions on page 6.
4. Never unplug your cooler by pulling on the power cord. Always grasp the plug firmly and pull it straight out from the outlet.
5. Unplug your cooler before cleaning or making any repairs. (Note: If for any reason this product requires service, we strongly recommend that a certified technician perform the service.)
6. Immediately repair or replace all electrical cords that have become frayed or otherwise damaged. Do not use a cord that shows cracks or abrasion damage along its length, the plug or the connector end.
7. This cooler should not be recessed or built into an enclosed cabinet. It is designed for freestanding installation only.
8. Do not operate or store your cooler near or around explosive fumes, gasoline or other flammable vapors and liquids.
9. Setting the temperature control to the 0 position does not remove power to the light circuit, perimeter heaters, or evaporator fans.

Please save these instructions!
DANGER!
Proper Disposal of the Refrigerator

To prevent any risk of child entrapment when discarding your cooler remove the doors and leave the shelves in place so that children cannot easily climb inside.

PRE-CAUTION, NON-OPERATING COOLERS SHOULD HAVE:

1. Glass door removed.
2. Shelves kept in place in order to prevent any small child from climbing inside cooler.

FOR PROPER DISPOSAL OF COOLER: Distributors / retailers need to contact a qualified service technician:

1. To recover all Freon/refrigerant from the cooler
2. To remove the compressor or remove the oil from the compressor

Then the distributor/ retailer can contact their local metal recycling center to pick up the remaining cabinet, shelves, etc. By law, disposal of hazardous wastes may be subject to fines and imprisonment under the provisions of the environmental regulations. For more information please visit: <http://www.epa.gov/osw/hazard/index.htm>

MAINTENANCE

Cleaning

- Before cleaning the appliance, always remember to unplug it.
- Unplug the cooler at the electrical outlet; never pull the service cord.
- Do not use sharp or pointed objects for cleaning.
- Clean the inside cabinet of the cooler with a clean damp cloth. Avoid damage by using non-abrasive and non-flammable cleaning products.
- Clean the condenser at least once a month with a vacuum cleaner or a brush to eliminate the dust accumulation.

Light Replacement

- Unplug the cooler before removing the LED light strip.
- Remove the screws.
- Remove the light cover gently.
- Take out the LED light strip.
- Replace the used strip with new equivalent light strip.
- Install the light cover and tighten the screws.
- Plug in the cooler.

Power Failure

- Please minimize the frequency of opening the door during a power failure.
- If your cooler is unused for an extended period of time, unplug, empty, and clean your cooler and keep the door open to avoid condensation, formation of mold, or odors.

Moving The Cooler

- Empty the unit.
- Secure all loose parts inside the cooler.
- Tape the door shut.
- During transportation, make sure that the cooler is in an upright position.

Drip pan

- During normal compressor cycle, water will drain into the drain pan and evaporate.
- To clean, gently pull the drain pan towards you and remove. Slowly reinstall it after cleaning.

TROUBLESHOOTING

If your cooler is not working properly:

- Check the electrical outlet for power, and that the plug is properly inserted.
- Check to see if the circuit breaker is tripped or the fuse is blown.
- Check the condenser for proper cleaning.

If your cooler is making noise:

- Check that the cooler is level and on a flat surface.

If the compressor turns on and off frequently:

- The room temperature is higher than normal.
- The door is not closed completely.
- The door gasket is not sealed well.
- There is insufficient clearance around the cooler.
- The temperature is not set properly.
- The cycling frequency will reduce when all of the cans reach the set temperature.

The following is not a malfunction:

- It is normal to hear gurgling sounds caused by the flow of refrigerant when each cooling cycle ends.

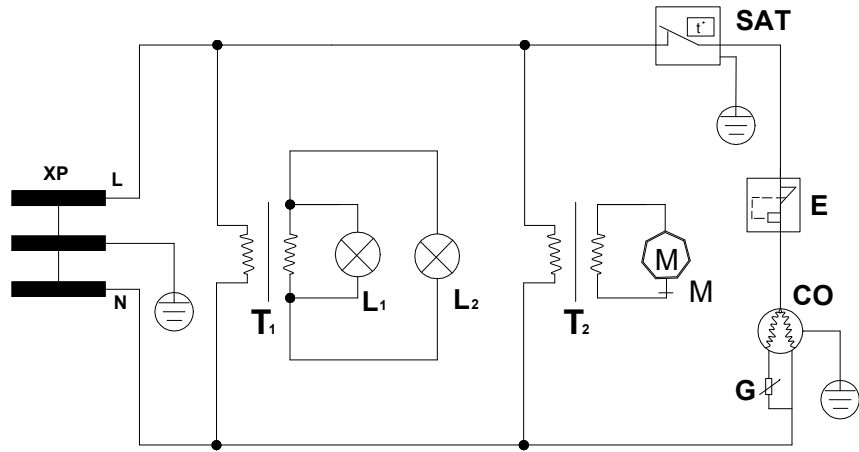
REFRIGERANT

- The G-Baby cooler utilizes R134a refrigerant.

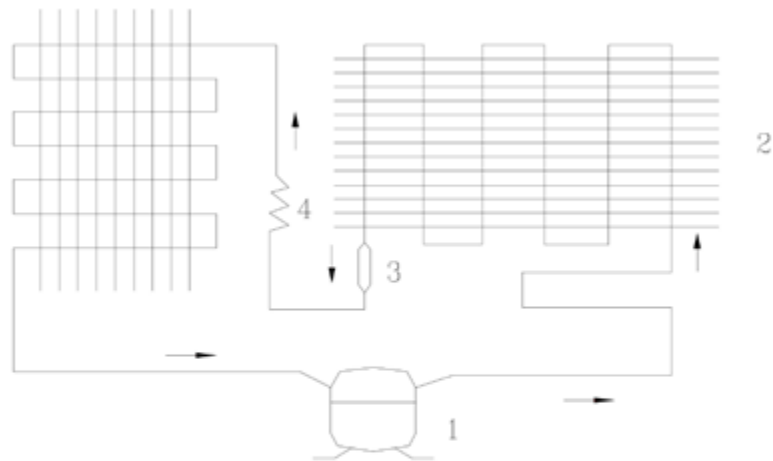
SPECIFICATIONS

Model:	G-Baby Countertop Cooler
Power Supply (V/Hz):	110-120V/60Hz
Dimension (W x D x H):	13.5" x 16.75" x 24.5"
Box Dimension (W x D x H):	
Maximum Load Per Shelf:	
NSF-7 Standard:	This equipment is intended for the storage and display of non-potentially hazardous bottled or canned products only.

CIRCUIT DIAGRAM



- XP-Plug
- G-Startup
- L₁, L₂-LED Lamp
- T₁, T₂-Adaptor
- CO-Compressor
- E-Outstanding safeguard
- SAT-Temperature control
- IL-Magnetism switch



- 1-Compressor
- 2-Condenser
- 3-Dry Filter
- 4-Capillary Tube
- 5-Evaporator



Innovative DisplayWorks, Inc.

To locate the distributor in your area go to: <http://www.idw.global/contact#distributors>