



FOR YOUR FUTURE REFERENCE

- This easy-to-use manual will guide you in getting the best use of your cooler.
- Remember to record the model number and the serial number. This information can be found on the inside of your cooler.
- Keep your receipt with this manual for future warranty service.

Model #: _____

Serial #: _____

Date of Purchase: _____

TABLE OF CONTENTS

Parts and Identification 2

Safety Instructions..... 3

Preparation..... 4

Location 5

Installation and Operation..... 5

Clamp Installation..... 5

Beverage Storage..... 6

Maintenance 6

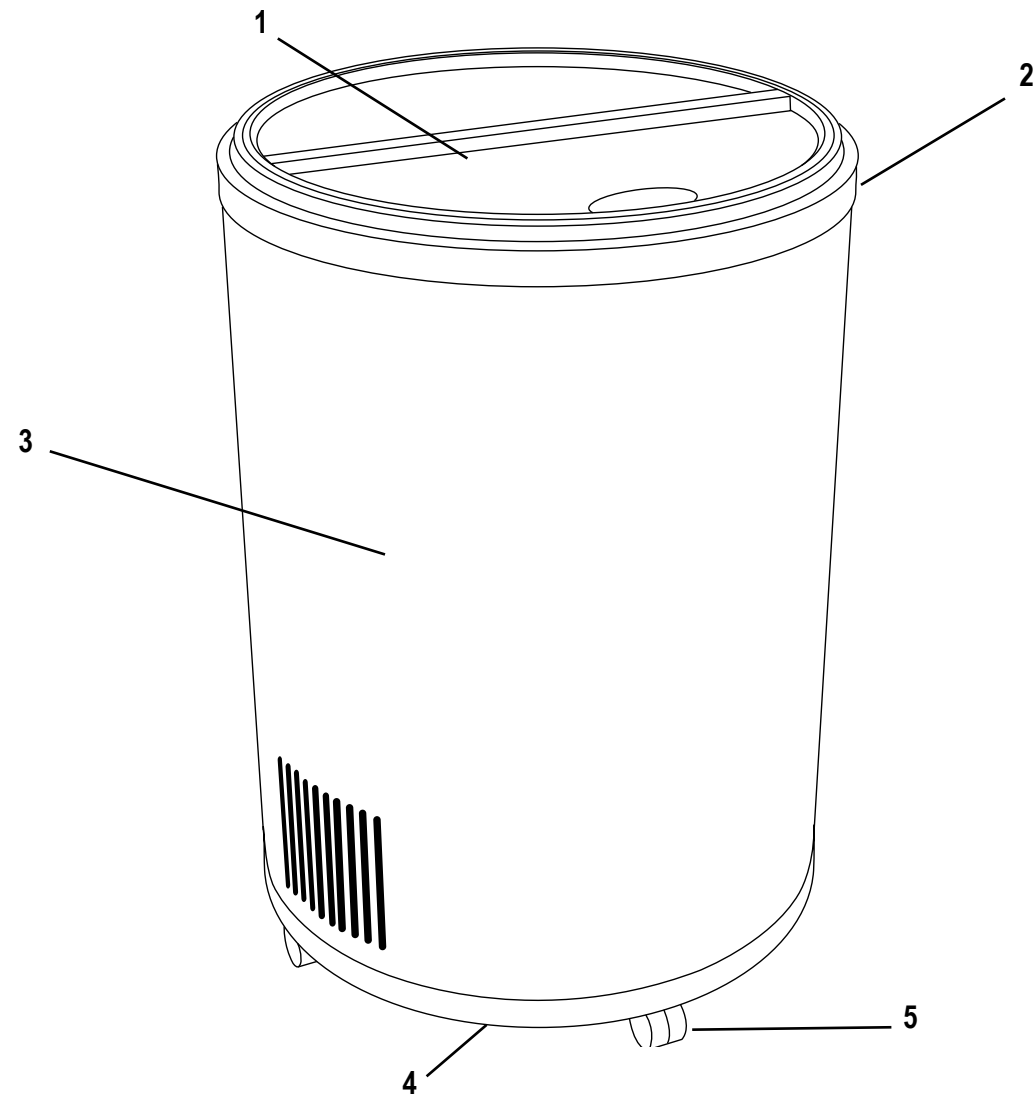
Changing Graphics 7

Cleaning 8

Troubleshooting 8

Circuit Diagram..... 9





PARTS AND IDENTIFICATION

- | | |
|--------------|-----------------|
| 1. Door | 4. Bottom Frame |
| 2. Top Frame | 5. Caster |
| 3. Cabinet | |

SAFETY INSTRUCTIONS

When using this appliance, always follow the basic safety precautions:

1. Read the entire User's Manual before operating this appliance.
2. Use this appliance only for its intended purpose as described in this User's Manual.
3. This cooler must be properly installed in accordance with the installation instructions before being used. See grounding instructions.
4. IDW requires that a dedicated circuit be used for the unit. Failure to do so voids warranty.
5. Never unplug your cooler by pulling on the power cord. Always grasp the plug firmly and pull it straight out from the outlet.
6. Unplug your cooler before cleaning or making any repairs.
Note: If for any reason this product requires service, we strongly recommend that a certified technician perform the service.
7. When disconnecting the power source, wait at least 5 minutes to reconnect the power to avoid damage to the compressor and the cooling system.
8. Immediately repair or replace all electrical cords that have become frayed or otherwise damaged. Do not use a cord that shows cracks or abrasion damage along its length, the plug or the connector end.
9. Do not operate or store your cooler near or around explosive fumes, gasoline or other flammable vapors and liquids.
10. Do not use flammable liquids to clean unit.
11. Setting the temperature control to the 0 position does not remove power to the light circuit, perimeter heaters, or evaporator fans.
12. Do not adjust the temperature control. The temperature control is factory set between levels 4 and 5 for maximum performance.
13. To avoid damage to the casters, do not transport the cooler on rough surfaces.

IMPORTANT!
Please Save These Instructions
For Proper Disposal of the Refrigerator!

PRE-CAUTION, NON-OPERATING COOLERS SHOULD HAVE:

1. Door removed
2. Baskets kept in place in order to prevent any small child from climbing inside cooler

FOR PROPER DISPOSAL OF COOLER: Distributors / retailers need to contact a qualified service technician:

1. To recover all refrigerant from the cooler
2. To remove the compressor or remove the oil from the compressor

Then the distributor / retailer can contact their local metal recycling center to pick up the remaining cabinet, baskets, etc. By law, disposal of hazardous wastes may be subject to fines and imprisonment under the provisions of the environmental regulations. For more information please visit: <http://www.epa.gov/osw/hazard/index.htm>

INSTALLATION

Installation of the cooler must be done according to applicable local codes or equivalent.

Ambient Environment

- Place cooler on an even surface to reduce vibration and noise.
- To transport, do not tilt the cooler beyond a 45 degree angle.
- Do not place cooler in direct sunlight or near any heat sources.
- Do not place cooler in environment temperatures that exceed 109°F.
- Do not place cooler in below normal temperatures.
- Do not place cooler in extreme humid environments, this may cause components to rust.
- Do not place cooler near constant running or splattering water, this may cause immediate damage to refrigeration system.
- Must allow at least 4" between rear of cooler and wall for proper ventilation and heat dissipation of cooler.
- Do not place furniture or other articles with sharp edges near the cooler in order to prevent damage to the glass door.
- This cooler is for indoor use.
- Place unit in it's final location, making certain there is adequate ventilation in the room.

WARNING: Warranty is void if ventilation is insufficient.

PREPARATION PRIOR TO OPERATION

Unpacking

- Remove all packaging materials before using cooler. This includes: foam pedestal, adhesive tape (used to fix accessories) and protective gaskets.
- Inspect cooler for concealed damage. Immediately file a claim with the freight carrier if there is damage. IDW is not responsible for damage incurred during shipping.
- Cooler must remain unplugged in an upright position for 1 hour prior to use.
- Clean the interior surface with a soft cloth and lukewarm water before operation.
- Ensure that drain hose or hoses are positioned in the pan.
- Remove plug and cord from inside the lower rear of the cooler.
- The unit should be placed close enough to the electrical supply so that extension cords are not used.

Electrical Requirements

- This model operates with a 110V/60Hz power supply. Check the electrical outlet for proper voltage.
- Dedicate one outlet for the use of the cooler.
- Do not use an extension cord or any other multiple connectors as this can lead to compressor failure.
- If the cord is damaged, it must be replaced.
- For your safety, plug the unit into a grounded wall outlet. Please check with a certified electrician for details.

WARNING: Do not use extension cords.

WARNING: Compressor warranties are void if compressor burns out due to low voltage.

WARNING: Power cord ground pin must NOT be removed!



LEVELING/LOCATION

- Place unit in a well-ventilated area.
- WARNING: Warranty is void if ventilation is insufficient.
- Unit must be leveled for proper operation, this will help prevent condensation.
- The cooler should be leveled front to back and side to side with a leveler.

INSTALLATION AND OPERATION

- Connect the Power Source. After 30 minutes of operation, the unit should show signs of cooling.
- After the empty cooler has been operating for a period of 5 hours, the unit can be loaded with products.

CLAMP INSTALLATION

The clamp secures the lid assembly to the main body of the cabinet

- 1 Locate the (2) notches on the interior of the lid.
- 2 Snap the (2) bolts into the notches of the lid.
- 3 Screw the clamps onto the bolts.
- 4 Hook the two clamps onto the center bar of the basket.

BEVERAGE STORAGE

- Do not overload the cooler beyond the red limitation line.
- Leave adequate space between beverage cans to allow air circulation.
- This cooler is primarily for storing beverage cans and plastic bottles. Avoid putting glass containers in the cooler.
- All beverage products should be properly sealed to avoid leaking into the cooler.



MAINTENANCE

Accessing Cooler Components:



1 Remove the basket from the inside of the cooler.



2 Remove the baffle from cooler.



3 Using a Phillips screwdriver, unscrew the (4) screws at the base of the cooler.



4 The body of the cooler can now be worked free from the frame.



5 Lay the body of the cooler on its side to access components.



6 To re-assemble the cooler align the notch at base of the body with the cooler cord. Then reverse steps 1-5.

Changing Electric Impulse Cooler Graphics:



1 Place graphic around barrel, making sure to align the grill holes in the graphic with the grill holes on the cooler to allow proper ventilation for the cooler.



2 Wedge the graphic under the plastic frame of the cooler.



3 Remove the covering on the double-stick tape to adhere the graphic in place.

CLEANING

- Unplug the cooler prior to cleaning.
- Unplug the cooler at the electrical outlet; never pull the service cord.
- Do not use sharp or pointed objects for cleaning.
- Do not spray water directly onto cooler, and do not use hard or steel brushes to clean the cooler.
- Clean the inside cabinet of the cooler with a clean, damp cloth or with mild soap.
- Avoid damaging the cooler by using only non-abrasive cleaning products. Do not use organic solvents, boiling water, washing powder or acid while cleaning. If the cooler is unused for a long period of time, unplug the electrical cord, follow cleaning instructions, and open or remove the lid.

MOVING THE COOLER

- Remove all product from the unit.
- Secure all loose parts inside the cooler.
- Tape the door shut.
- Ship the cooler in an upright position.

TROUBLESHOOTING

If your cooler is not working properly:

Check the electrical outlet for power, and check that the plug is properly inserted into the outlet.
 Check the circuit breaker for a tripped or blown fuse.
 Be sure that the condenser is free of dirt and dust.

If your cooler is making noise:

Check that the cooler is level and on a flat surface.

If the compressor frequently turns on and off, check for the following:

The room temperature may be higher than usual.
 The cooler door is completely closed.
 The door gasket is sealed correctly.
 Sufficient clearance around the cooler for airflow.
 Proper temperature settings.
 The cycling frequency will reduce when all of the cans reach the set temperature.



The following is not a malfunction:

Murmur noises caused by the flow of refrigerant when each cooling cycle ends.
 Ice formed on the side of the cooler is caused by moisture from the surrounding environment and the normal opening and closing of the lid.
 Water drops on the door lid occur when the ambient humidity is high.

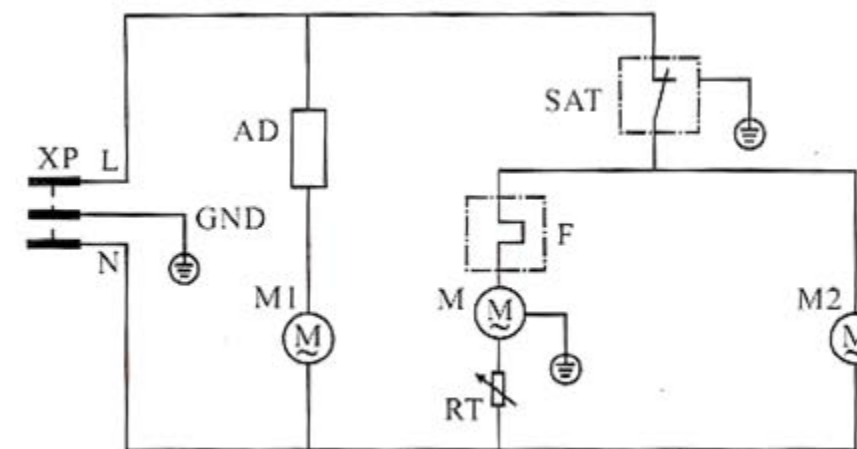
REFRIGERATION

The G-77 Electric Impulse Cooler utilizes R134a refrigerant.

SPECIFICATIONS

Model:	G-77 Electric Impulse Cooler
Power Supply (V/Hz):	220v/50Hz or 110/60Hz
Dimension (Diameter x H):	22.25" x 33.25"
Box Dimension (Diameter x H):	23" x 34"

G-77 CIRCUIT DIAGRAM



- XP - Power plug
- RT - Starting relay
- F - Overload protector
- M - Inner fan
- M - Compressor
- SAT - Thermostat
- M2 - Motor fan
- AD - Adaptor



Innovative DisplayWorks, Inc.

To locate the distributor in your area go to: <http://www.idw.global/contact#distributors>