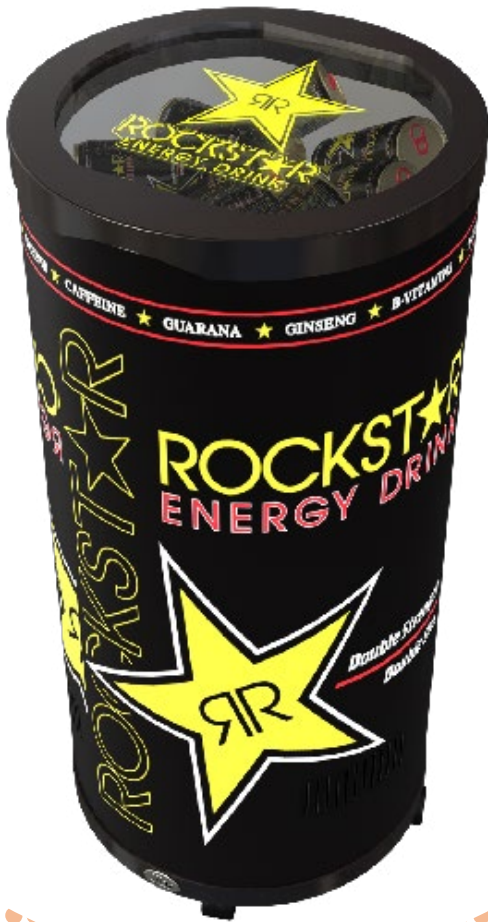


G-80L

ELECTRIC IMPULSE COOLER

G-Series Coolers



FEATURES

- Exterior Dimensions: 18"W x 20.25"D x 43.25"H
- Mobile Impulse Cooler Generates Incremental Sales in High Traffic Retail Locations
- High Visibility LED Illuminated Glass Lid
- Self Closing Glass Lid
- Efficient Refrigeration System For Fast Product Temperature Pull Down
- High Impact Billboard Graphics Are Interchangeable With No Tools Required
- 9' Heavy Duty Power Cord
- Heavy Duty Locking Casters
- High Density Environmentally Friendly Insulation
- Adjustable Temperature Control
- UL and CUL Certifications
- Conforms to NSF-7 Display Level 2
- ENERGY STAR® 4 Qualified



8825 Boston Place, Rancho Cucamonga CA 91730 | Toll: 877.307.2665 | Office: 909.447.8254 | Fax: 909.305.8756 | www.idw.global

The specifications contained herein are for illustrative marketing purposes only and are not intended to be relied upon in whole or in part. All creative works are the sole property of IDW, Inc. Any reproduction in part or as a whole without written permission from IDW, Inc. is prohibited.

G-80L

ELECTRIC IMPULSE COOLER

G-Series Coolers

TECH SPECS

Refrigerant	R134a	R600a
Amps	1.0	1.4
Volts/Hz	110-120V/60Hz	110-120V/60Hz
Compressor HP	1/6	1/8

SHIPPING SPECS

Gross Weight	77 lbs/35 kg
Net Weight	66 lbs/30 kg
Carton Dims (WDH)	19"x21"x44" / 482x533x1117mm
Units per Pallet	12
Shipping Loads	40'HQ ~ 240 53' ~ 312

DIMENSIONS

External: 418"W x 20.25"D x 43.25"H inches / 457 x 514 x 1099 mm

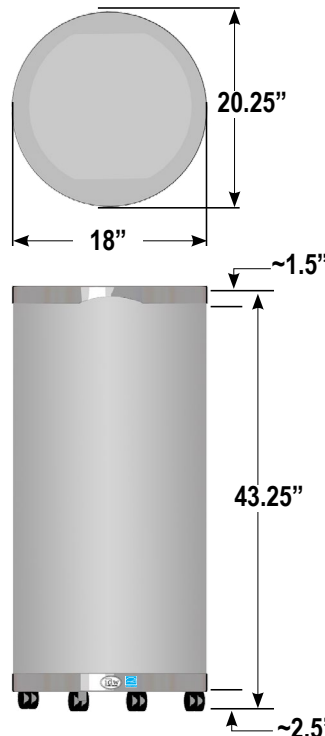
Basket: 14.17"D x 12.46"H inches / 360 x 316 mm

PACKOUT CAPACITIES

	Top Basket	Bottom Basket	Total Capacity
12OZ CAN	40	40	80
16OZ CAN	30	30	60
20OZ PET	20	20	40



External Dimensions



Basket Dimensions

