

GCG-9

UPRIGHT COOLER



Manual is for the
following models:
GCG-9-N13EB
G-9-N13EB
GCG-9-B13EB

Manual is for the following models:
GCG-9-N13EB
G-9-N13EB
GCG-9-B13EB

Instruction Manual



FOR YOUR FUTURE REFERENCE

- This easy-to-use manual will guide you in getting the best use of your cooler.
- Remember to record the model number and the serial number. This information can be found on the inside of your cooler.
- Keep your receipt with this manual for future warranty service.

Model #: _____

Serial #: _____

Date of Purchase: _____

TABLE OF CONTENTS

Parts & Identification 3

Safety Precautions 4

Features..... 5

Instructions 5

Ambient Environment..... 5

Preparation Before Operation..... 6

Replacing the Interior Light 7

Replacing the Door LED Lights 8

Startup, Operation & Temperature Adjustment..... 9

Lit Door ‘Logo’ Switch..... 9

Repair & Maintenance for Refrigeration Drawer..... 9

Condenser Maintenance 10

Maintenance 10

Cleaning Shutdown Questions & Answers..... 10

Setting Up Power Cord Holder..... 11

Troubleshooting 12

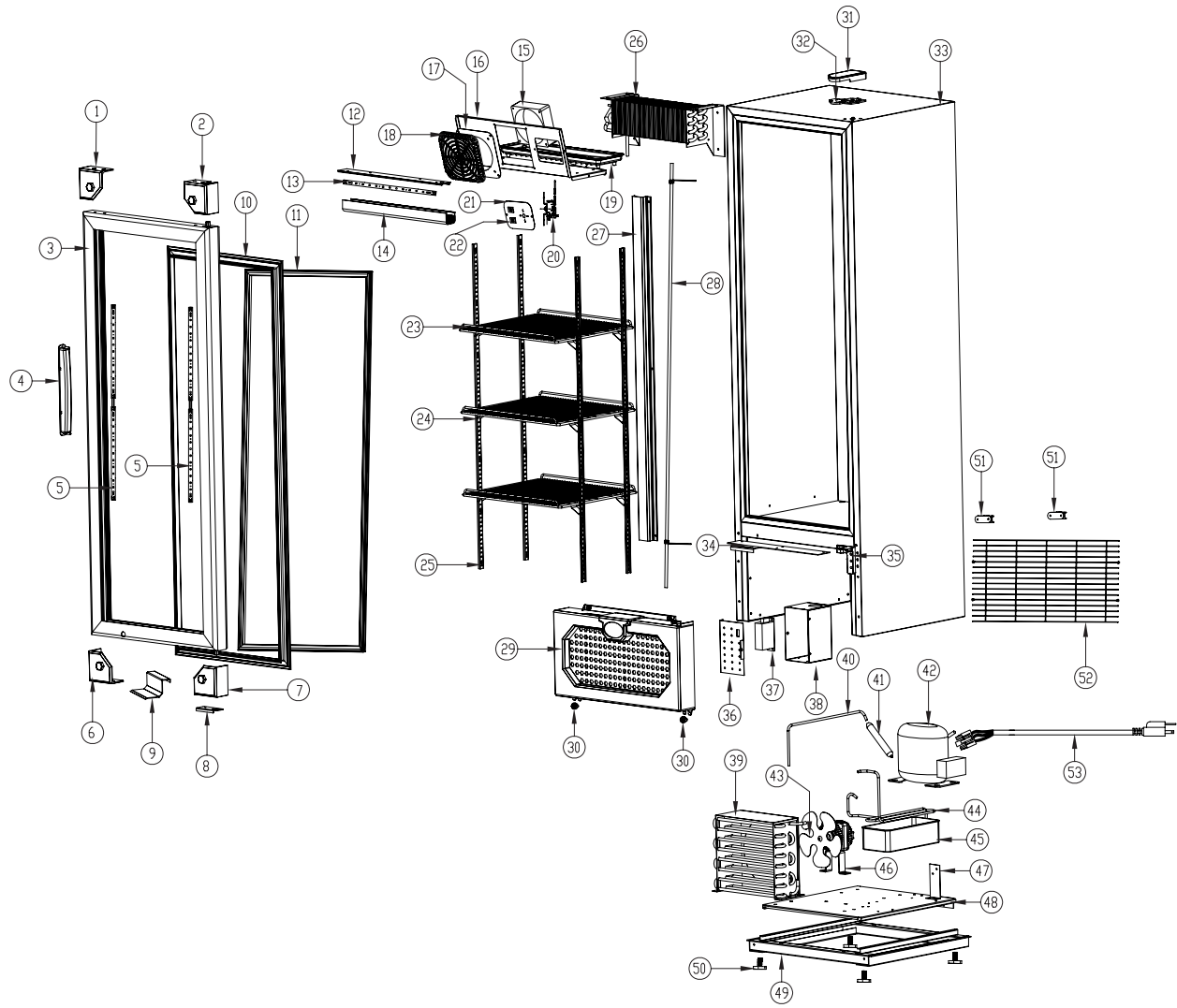
After-Sales Service..... 12

GCG-9 Circuit Diagram..... 13

GCG-9 Electrical Wiring Diagram..... 14

G-9 Circuit Diagram..... 15

G-9 Electrical Wiring Diagram..... 16



PARTS & IDENTIFICATION

- | | | |
|--------------------------------|------------------------------|---|
| 1. Top Left Corner Bolt | 19. Water Container | 37. Switching Power Supply of LED Light |
| 2. Top Right Corner Bolt | 20. Thermostat | 38. Electric Box |
| 3. Glass Door | 21. Thermostat Panel | 39. Condenser |
| 4. Door Handle | 22. Light Switch | 40. Connecting Tube for Dry Filter |
| 5. LED Light in the Glass Door | 23. Shelf | 41. Dry Filter |
| 6. Lower Left Corner Bolt | 24. Shelf Clip | 42. Compressor |
| 7. Lower Right Corner Bolt | 25. Pilaster | 43. Condenser Fan |
| 8. Door Limiter | 26. Evaporator | 44. Connecting Tube for Condenser |
| 9. Door Support | 27. Tubing Cover | 45. Water Container |
| 10. LED Light Cover | 28. Return Tube | 46. Fan Support |
| 11. Door Gasket | 29. Grill | 47. Dry Filter Bracket |
| 12. Top Lamp Stand | 30. Plastic Fixation Column | 48. Upper Baseboard |
| 13. LED Light | 31. Top Hinge Cover | 49. Lower Baseboard |
| 14. LED Light Cover | 32. Top Hinge | 50. Leveling Leg |
| 15. Evaporating Fan | 33. Foam Cabinet | 51. Bumper Block |
| 16. Control Panel | 34. Fixing Bracket for Grill | 52. Compressor Guard |
| 17. Fan Baseboard | 35. Lower Hinge | 53. Power Cord |
| 18. Fan Guard | 36. Electric Box Cover | |

SAFETY PRECAUTIONS

When using this appliance, always follow the basic safety precautions:

1. Read the entire User's Manual before operating this appliance.
2. Use this appliance only for its intended purpose as described in this User's Manual.
3. This cooler must be properly installed in accordance with the installation instructions before being used. See grounding instructions on page 6.
4. Never unplug your cooler by pulling on the power cord. Always grasp the plug firmly and pull it straight out from the outlet.
5. Unplug your cooler before cleaning or making any repairs. (Note: If for any reason this product requires service, we strongly recommend that a certified technician perform the service.)
6. Immediately repair or replace all electrical cords that have become frayed or otherwise damaged. Do not use a cord that shows cracks or abrasion damage along its length, the plug or the connector end.
7. This cooler should not be recessed or built into an enclosed cabinet. It is designed for freestanding installation only.
8. Do not operate or store your cooler near or around explosive fumes, gasoline or other flammable vapors and liquids.
9. Setting the temperature control to the 0 position does not remove power to the light circuit, perimeter heaters, or evaporator fans.

Please save these instructions!
DANGER!
Proper Disposal of the Refrigerator

To prevent any risk of child entrapment when discarding your cooler remove the doors and leave the shelves in place so that children cannot easily climb inside.

PRE-CAUTION, NON-OPERATING COOLERS SHOULD HAVE:

1. Glass door removed.
2. Shelves kept in place in order to prevent any small child from climbing inside cooler.

FOR PROPER DISPOSAL OF COOLER: Distributors / retailers need to contact a qualified service technician:

1. To recover all Freon/refrigerant from the cooler
2. To remove the compressor or remove the oil from the compressor

Then the distributor/ retailer can contact their local metal recycling center to pick up the remaining cabinet, shelves, etc. By law, disposal of hazardous wastes may be subject to fines and imprisonment under the provisions of the environmental regulations. For more information please visit: <http://www.epa.gov/osw/hazard/index.htm>

INSTALLATION

Installation of the cooler must be done according to applicable local codes or equivalent.

Ambient Environment

- Place cooler on an even surface to reduce vibration and noise.
- To transport, do not tilt the cooler beyond a 45 degree angle.
- Do not place cooler in direct sunlight or near any heat sources.
- Do not place cooler in environment temperatures that exceed 109°F.
- Do not place cooler in below normal temperatures.
- Do not place cooler in extreme humid environments, this may cause components to rust.
- Do not place cooler near constant running or splattering water, this may cause immediate damage to refrigeration system.
- Must allow at least 4" between rear of cooler and wall for proper ventilation and heat dissipation of cooler.
- Do not place furniture or other articles with sharp edges near the cooler in order to prevent damage to the glass door.
- This cooler is for indoor use.
- Place unit in it's final location, making certain there is adequate ventilation in the room.

WARNING: Warranty is void if ventilation is insufficient.

PREPARATION PRIOR TO OPERATION

Unpacking

- Remove all packaging materials before using cooler. This includes: foam pedestal, adhesive tape (used to fix accessories) and protective gaskets.
- Inspect cooler for concealed damage. Immediately file a claim with the freight carrier if there is damage. IDW is not responsible for damage incurred during shipping.
- Cooler must remain unplugged in an upright position for 1 hour prior to use.
- Clean the interior surface with a soft cloth and lukewarm water before operation.
- Ensure that drain hose or hoses are positioned in the pan.
- Remove plug and cord from inside the lower rear of the cooler.
- The unit should be placed close enough to the electrical supply so that extension cords are not used.

Electrical Requirements

- This model operates with a 110V/60Hz power supply. Check the electrical outlet for proper voltage.
- Dedicate one outlet for the use of the cooler.
- Do not use an extension cord or any other multiple connectors as this can lead to compressor failure.
- If the cord is damaged, it must be replaced.
- For your safety, plug the unit into a grounded wall outlet. Please check with a certified electrician for details.

WARNING: Do not use extension cords.

WARNING: Compressor warranties are void if compressor burns out due to low voltage.

WARNING: Power cord ground pin must NOT be removed!

Leveling

- Set unit in its final location, making certain there is adequate ventilation in the room.

WARNING: Warranty is void if ventilation is insufficient.

- Proper leveling of the GCG-9 cooler is critical to it operating correctly. Condensation removal and door operation will be affected by leveling.

< The cooler should be leveled front to back and side to side with a level.

- Ensure that drain hose or hoses are positioned in the pan.
- Remove plug and cord from inside the lower rear of the cooler.
- The unit should be placed close enough to the electrical supply so that extension cords are never used.



Shelving Installation



• Hook shelf clips on shelf strip.








• Position all four shelf clips equal in distance from the floor for flat shelves.








• Place shelf on shelf clips.

REPLACING THE INTERIOR LIGHT

- 1  Press two sides of plastic cover by the fingers and remove it.
- 2  Disconnect the lights.
- 3  Unscrew (3) screws using a Phillip's screwdriver.
- 4  Remove LED light strand.
- 5  To install LED lights follow the above directions in reverse order.

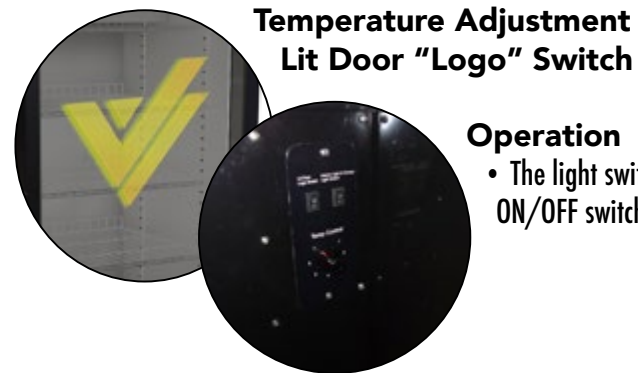
REPLACING THE DOOR LED LIGHTS

- 1  Unplug the cooler.
 - 2  Remove plastic cover.
 - 3  Disconnect top light strand.
 - 4  Disconnect middle light strand.
 - 5  Unscrew light strand.
 - 6  Remove entire light strand.
 - 7 To install LED lights follow the above instructions in reverse order.
- Notes: If there are any malfunctions with the main control panel of LED lights, please contact a professional for replacement.

STARTUP, OPERATION AND TEMPERATURE ADJUSTMENT

Operation

- Prior to stocking cooler with product, it should be operated empty for half an hour.
- GCG-9 performance testing position of the thermostat is around 3.5-5.



Operation

- The light switch located at the top inside of the cabinet on the right-hand side is the ON/OFF switch for the Lit logo located on the door of the cooler.

REPAIR AND MAINTENANCE FOR REFRIGERATION DRAWER

*** A CERTIFIED TECHNICIAN IS REQUIRED TO REPAIR ALL REFRIGERATION COMPONENTS FOR WARRANTY PURPOSES.**

For convenient repair, the refrigeration components (compressor, evaporator, condenser, evaporation fan, condensation fan and filter) are designed using a split system; any component can be easily replaced. Replacement procedure is as follows:



CONDENSER MAINTENANCE

It is essential to keep the condenser coils clean and free of dust and debris at all times. It is required to periodically clean the condenser coils with a soft bristle brush or vacuum-cleaner to properly maintain the refrigeration system. Failure to clean the condenser at regular intervals may cause failure of the refrigeration system and could void the warranty.



MAINTENANCE - Cleaning Shutdown Questions and Answers

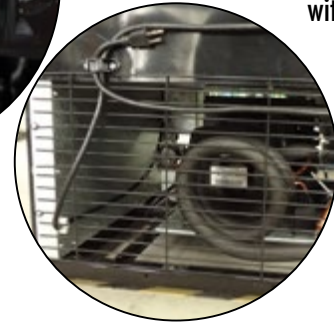
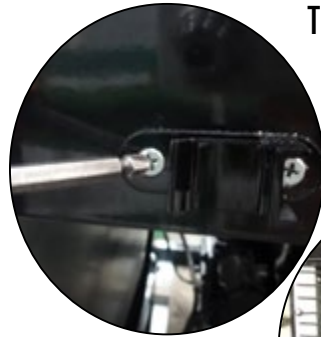
Cleaning and Maintenance

- 1 Unplug the cooler before cleaning.
- 2 Use a soft cloth or sponge with water or soap (non-corrosive mild detergent), while cleaning. After cleaning, wipe the cooler using dry cloth to keep the cooler from rusting.
- 3 Do not spray water on the cooler, and do not use hard or steel brushes to clean the cooler.
- 4 Do not use organic solvents, boiling water, washing powder or acid while cleaning.

If the cooler's power will be off for a long period of time, unplug it, clean as instructed above, and keep door open until dry.

SETTING UP SPACER & POWER CORD HOLDERS

The GCG-9 is supplied with one set (2 pieces) of Spacers to hold the extra length of Power Cord



- 1 Take out the two Spacers and screws supplied in the Accessory Pack shipped with the Cooler.
- 2 Use a Phillips screwdriver to fix the two Spacers at positions.

TROUBLESHOOTING

The following are not Malfunctions:

Issues	Solutions
Liquid flowing noise within cooler	This liquid is the sound of the cooling agent flowing through the pipes.
Refrigeration system is shutdown for longer periods of time while temperature inside is still very low.	This refrigerator has a strong level of heat preservation and can maintain a relatively ambient temperature.
Condensation on glass door	This may be due to a high indoor humidity or a low inside temperature value may be set. Wipe the door dry with a towel.

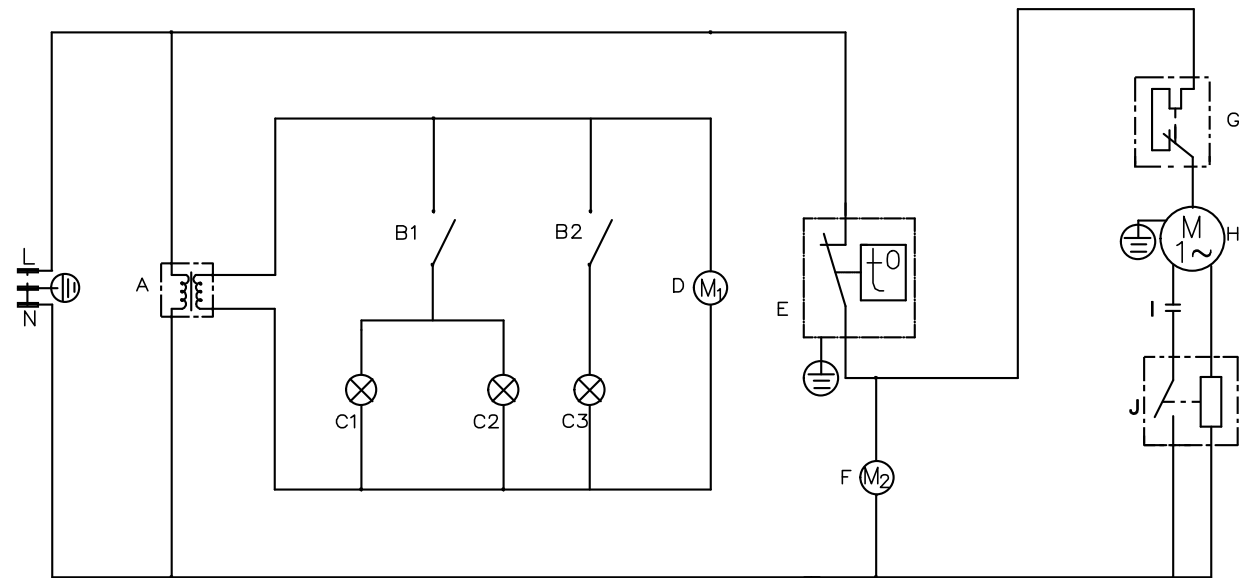
- 1 This refrigerator has been designed and manufactured according to National standards. If there are any questions during use, refer to this operation manual to help troubleshoot problems.
- 2 When disposing of the cooler, please remove the door and lock assembly to avoid children accidentally becoming trapped inside the cooler.

AFTER SALES SERVICE

Any product has the possibility of malfunction. Please observe the cooler's operation and any changes to product being stored. If there are any abnormal cases, refer to the table below. If there is still no change after following the below instructions, please inform our service center in a timely manner to avoid a further loss of the unit.

Issues	Solutions
Cooler is not functioning.	Please check power supply: <ul style="list-style-type: none"> • Fuse damage • The plug is not securely inserted into the wall socket • Check for low voltage
Cooler is not keeping product cool.	<ul style="list-style-type: none"> • Provide ample space between all products to ensure proper circulation of air. • Keep unit away from direct sunlight or other heating source. • Keep door closed as often as possible. • Be certain cooler is not touching external objects or walls.
Excessive noise	<ul style="list-style-type: none"> • Be certain the cooler is placed on a level surface. • Be certain cooler is not touching external objects or walls.

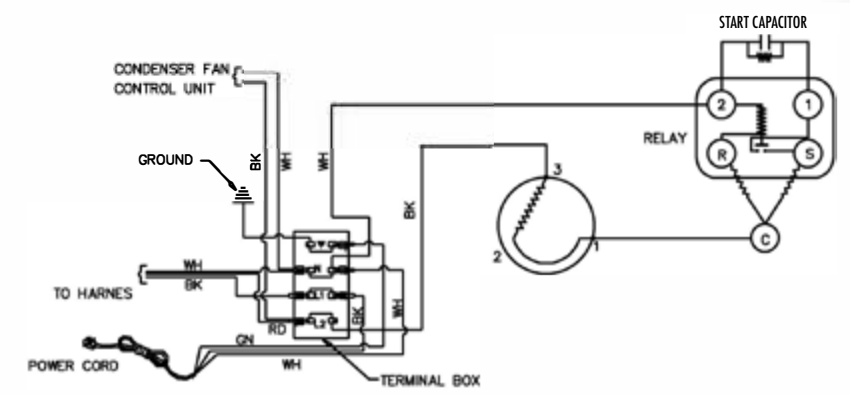
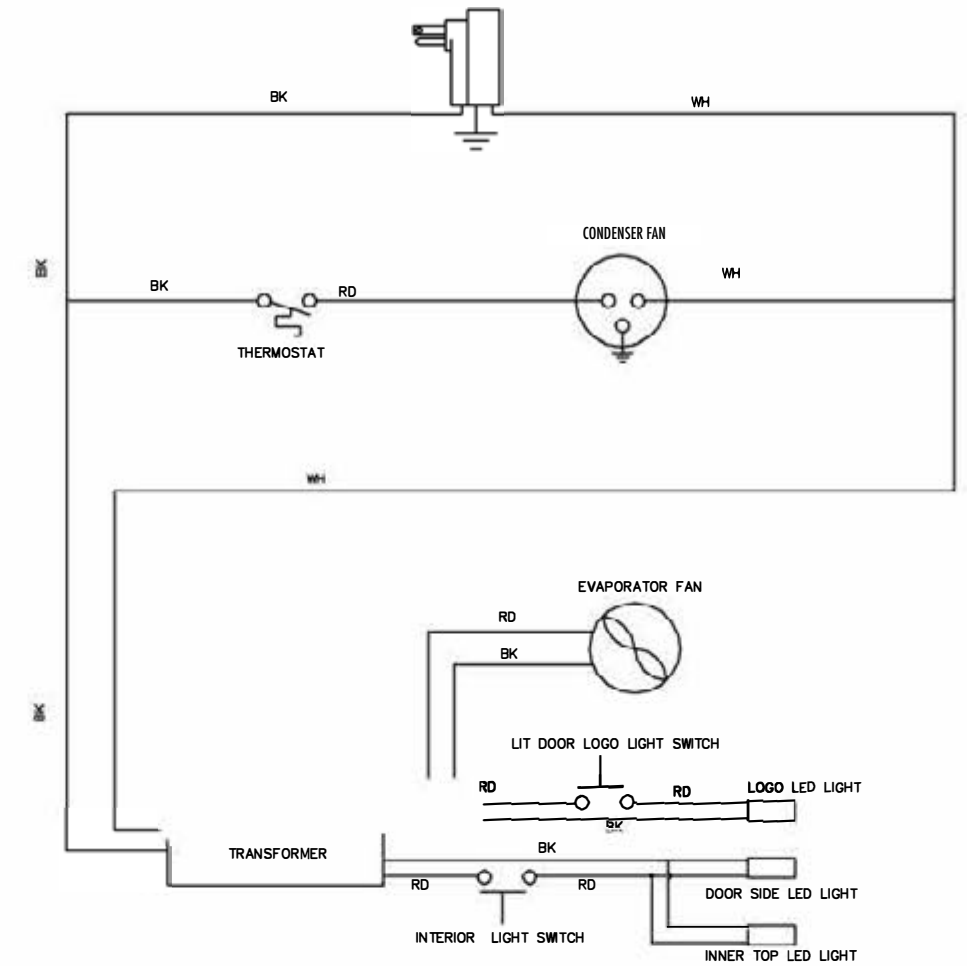
GCG-9 CIRCUIT DIAGRAM



- A: Switching Power Supply for all Lights & Evaporator Fan
- B1: On/Off Switch for Interior Light
- B2: On/Off Switch for Lit Door Logo Light
- C1: Interior Top LED Light
- C2: Door Side LED Light
- C3: Logo LED Light
- D: Evaporator Fan

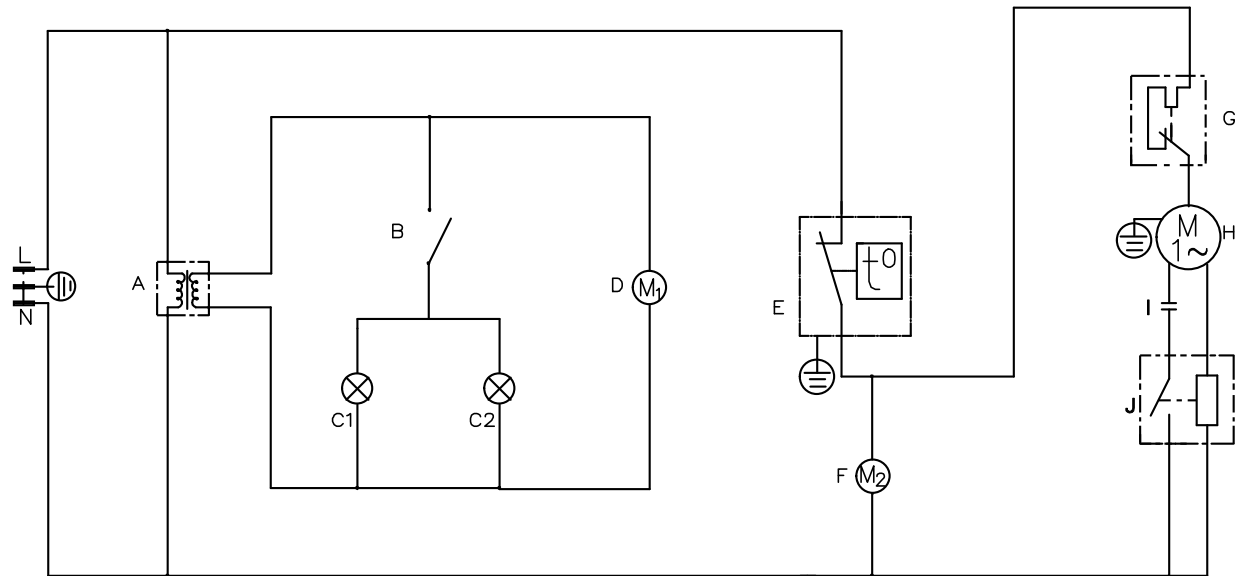
- E: Thermostat
- F: Condenser Fan
- G: Overload for Compressor
- H: Compressor
- I: Compressor Starting Capacitor
- J: Compressor Relay

GCG-9 ELECTRICAL WIRING DIAGRAM



CONNECTIONS FOR EM45HHR COMPRESSOR

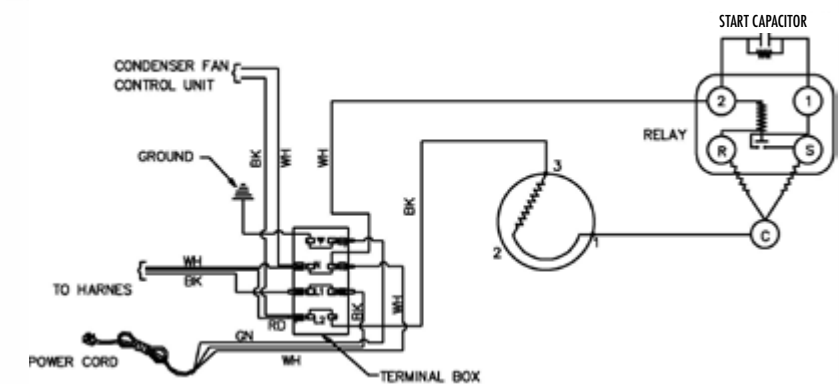
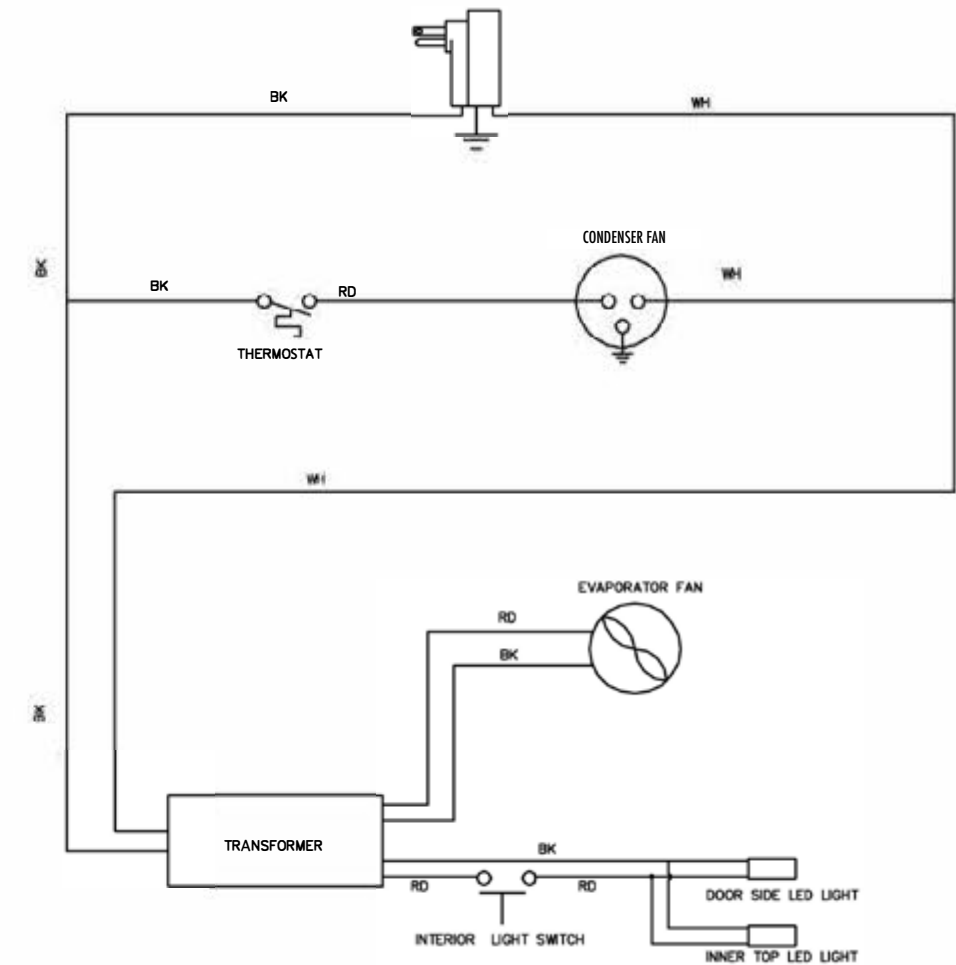
G-9 CIRCUIT DIAGRAM



A: Switching Power Supply for all Lights & Evaporator Fan
 B: On/Off Switch for Light
 C1: Interior Top LED Light
 C2: Door Side LED Light
 D: Evaporator Fan
 E: Thermostat

F: Condenser Fan
 G: Overload for Compressor
 H: Compressor
 I: Compressor Starting Capacitor
 J: Compressor Relay

G-9 ELECTRICAL WIRING DIAGRAM



CONNECTIONS FOR EM45HHR COMPRESSOR



Innovative DisplayWorks, Inc.

To locate the distributor in your area go to: <http://www.idw.global/contact#distributors>